

EATON

MEM

Eaton's Moulded Accessory Range (EMA)

Product Guide

- Independently approved to BS & IEC standards
- Robust high quality thermoplastic covers
- Crack resistant for arduous conditions
- Screw caps to conceal fixing screws
- Colour matched with existing ranges



**Stylish, white moulded wiring accessories
for modern applications**



General information on Eaton's Moulded Accessory Range

Eaton's Moulded Accessory Range is manufactured in a robust, high quality thermoplastic. The range offers a comprehensive selection of solutions that combine reliability and durability with quick and simple installation. Designed with colour matching and aesthetics in mind, the range boasts an appealing front plate design. This enables easy side-by-side mounting of switches and sockets. Screw caps are provided to conceal fixing screws to give a clean finish.

Technical Characteristics

- Dimensions: 1G - 86mm x 86mm, 2G - 86mm x 146mm
- Fixing Centres: 1G - 60.3mm, 2G - 120.7mm
- Flush Mounting Box: 1G - F4556 (35mm deep), 2G - F4567 (35mm deep)
- Surface Mounting Box: 1G - F4501 (28mm deep) or F4507 (32mm deep)
2G - F4502 (28mm deep) or F4508 (32mm deep)

See page 7 for technical details.



E023

10A Switches

- To BSEN 60669-1.

Description	Eaton list number
10A 1G 1 way	E011
10A 2G 1 way	E012
10A 3G 1 way	E013
10A 1G 2 way	E021
10A 2G 2 way	E022
10A 3G 2 way	E023
10A 4G 2 way	E024
10A 1G bellpush	E015
10A 1G switch push marked 'press'	E015PR
10A intermediate	E017
10A 3 pole fan isolator	E048

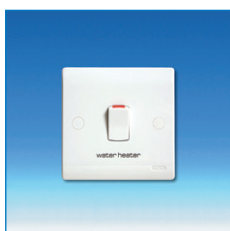


E401

16A Switch

- To BSEN 60669-1.

Description	Eaton list number
16A hotel card switch	E401



E303

20A Switches

- To BSEN 60669-1.

Description	Eaton list number
20A DP switch	E301
20A DP switch + neon	E301N
20A DP switch marked 'water heater'	E303
20A DP switch + neon marked 'water heater'	E303N
20A DP switch + neon marked 'air conditioner'	E304N



E212

Cable Outlet Adaptor Plate

Description	Eaton list number
Cable outlet adaptor plate for fused connection unit and 20A switch	E212



E200N

13A Connection Units

- To BS1363: Part 4.
- Terminals capable of accepting up to 3 x 4mm² or 2 x 6mm² conductors.

Description	Eaton list number
13A unswitched socket connection unit	E200
13A unswitched socket connection unit + neon	E200N
13A fused switched connection unit	E201
13A fused switched connection unit + neon	E201N



E512N

13A Socket Outlets

- To BS1363: Part 2.
- Terminals capable of accepting up to 3 x 4mm² or 2 x 6mm² conductors.

Description	Eaton list number
13A 1G unswitched socket	E111
13A 1G switched socket	E511
13A 1G switched socket + neon	E511N
13A 2G switched socket	E512
13A 2G switched socket + neon	E512N
13A 1G DP switched socket	E521
13A 2G DP switched socket 2 E terminals	E522



E326N

45A Switches

- 45A Switch: To BSEN 60669-1.
- 45A Cooker Control: To BS4177.

Description	Eaton list number
45A DP switch	E322
45A DP switch + neon	E322N
45A DP switch + neon (2G plate size)	E321N
45A DP cooker control unit	E325
45A DP cooker control unit + neon	E325N
45A DP switch + neon marked 'cooker'	E326N
45A cable outlet with terminals	E345



E210

20A Flex Outlet Plate

- To BS5733.

Description	Eaton list number
20A flex outlet plate	E210



E315

15A Socket Outlet

- To BS546.

Description

15A 1G switched socket

Eaton list number

E315



E461

16A Socket Outlet

Description

16A universal 2 pin socket

Eaton list number

E461



E370

Shaver Socket

Description

Shaver socket dual voltage 230V/115V AC

Eaton list number

E370



E9751

Rotary Tungsten Dimmers

- These dimmers are produced from non-European countries.

Description

1000W 1G 1 way

500W 1G 1 way

500W 2G 1 way

500W 1G 1 way fan controller

Eaton list number

E9511

E9551

E9552

E9751



E9132

Push On/Push Off Action Dimmers

- To BS5518: 1977 and BSEN 55014-1: 1977.

Description

250W 1G 2 way

250W 2G 2 way

400W 1G 2 way

Eaton list number

E9131

E9132

E9141



E351

TV Co-axial Outlets

- To BS3041-2.

Description

1G TV co-axial outlet

1G TV co-axial outlet dual clamp

Eaton list number

E351

E351D



E356

TV and Satellite Outlets		
<ul style="list-style-type: none"> To BS6312: 2.2 		
Description	Eaton list number	
1G SAT outlet	E355	
1G TV SAT outlet	E356	



E361

Telephone Outlets		
Description	Eaton list number	
1G telephone outlet master	E360	
1G telephone outlet secondary	E361	
1G telephone outlet RJ11	E362	
1G RJ45 outlet CAT 6	E363	



E802

Grid Coverplates		
<ul style="list-style-type: none"> Suitable for use with SPECTRA grid range. 		
Description	Eaton list number	
1G grid coverplate	E801	
2G grid coverplate	E802	
3G grid coverplate	E803	
4G grid coverplate	E804	



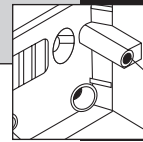
E874

Voice/Data Module Frames		
<ul style="list-style-type: none"> Suitable for use with 50mm x 25mm module range. 		
Description	Eaton list number	
2 module data plate	E872	
4 module data plate	E874	



E391

Blank Plates		
Description	Eaton list number	
1G blank plate	E391	
2G blank plate	E392	



10 Amp Switches

- Supplied with M3.5 fixing screws.
- Switch contact – silver/nickel.
- Shallow depth for maximum wiring space, containing back entry terminal with top and bottom access to terminal screws.
- Rocker operated, quick positive movement, enclosed to minimise dust penetration.
- X rated for fluorescent or inductive loads.

13A Switched Sockets

- Supplied with M3.5 fixing screws.
- Switch contact – silver/nickel.
- Shutter is operated by the earth pin.
- Shallow depth for maximum wiring space with back entry tunnel terminal and top access for terminal screws.
- Terminals accept up to 3 x 4mm² or 2 x 6mm² conductors.
- Rocker, operated either double pole or single pole switch, quick, positive movement, enclosed to minimise dust penetration.
- Suitable for use with flush or surface mounting box minimum 25mm depth.

20A Switches

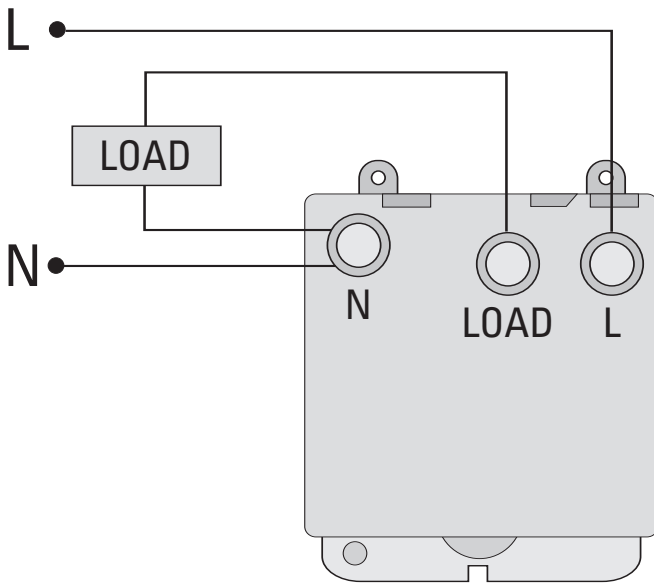
- Shallow depth, for maximum wiring space with back entry tunnel terminals.
- Separate earth terminals are provided for supply and load cable.
- Rocker operated, quick, positive movement, enclosed to minimise dust penetration.
- Switch contact surfaces – silver/nickel.
- Suitable for use with flush mounting box minimum 35mm deep and upwards.

13A Connection Units

- Supplied with M3.5 fixing screws.
- Shallow depth for maximum wiring space with back entry tunnel terminals and top and right side access for terminal screws.
- Live and Neutral terminals accept up to 3 x 4 mm² conductors.
- Fuse drawer is captive and also shuttered.
- Rocker operated, double pole switched, quick positive movement, enclosed to minimise dust penetration.
- Suitable for use with flush mounting box 25mm minimum depth.

45A Switches

- Supplied with M3.5 fixing screws.
- Shallow depth for maximum wiring space, with back entry tunnel terminals giving top and bottom access for terminal screws.
- Separate earth terminals provided for supply and load cables.
- Rocker operated, quick, positive movements, enclosed to minimise dust penetration.
- Switch contacts silver/nickel.



Function.

- This switch is operated by using a common size (opaque) hotel key card.
- Once the card is removed, the power will remain ON for 30 seconds.
- To enable easy location to the switch in a dark room an indicator light is illuminated until the key card is inserted.

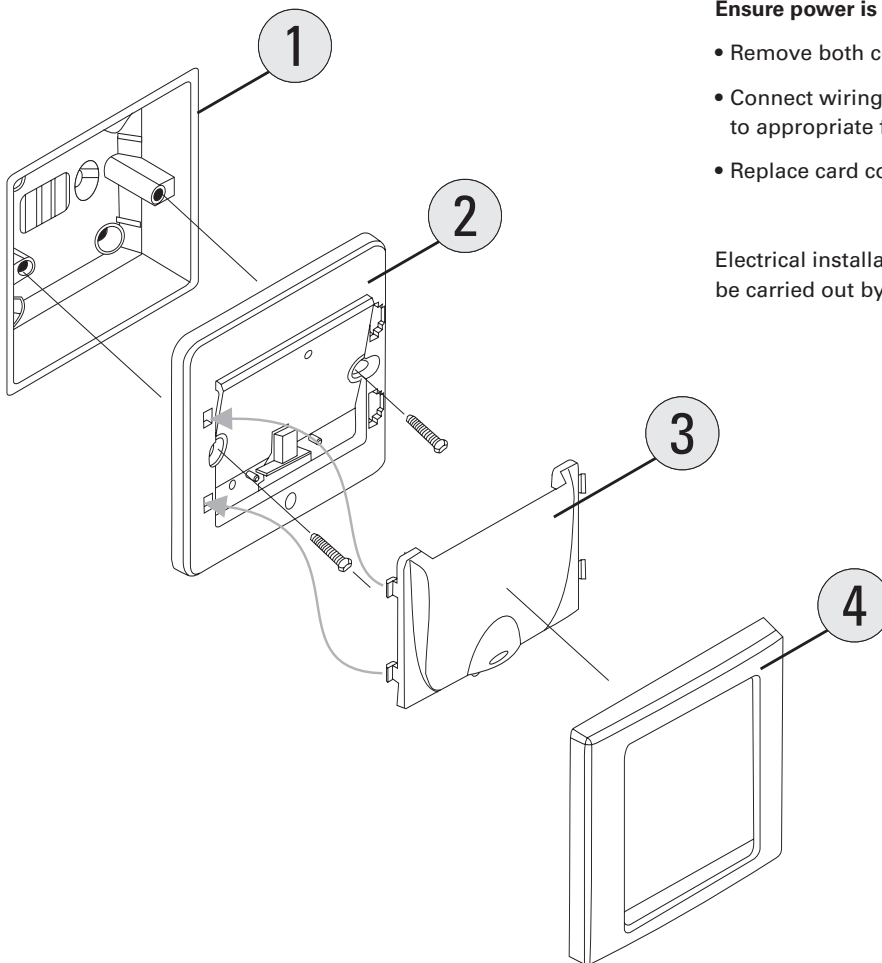
Technical parameter:

- Voltage rating: 230V a.c.
- Rated current: 16A COS ϕ =1
- Frequency: 50Hz/60Hz.
- Complies with BSEN 60699-2-1.

Operation:

- **ON** Inserting the key card fully will energise the circuit. The location indicator will then turn off.
- **OFF** Remove the key card and the power will switch off after 30 seconds.

Installation guide for ref: E401



Ensure power is isolated before commencing work:

- Remove both covers **3** and **4** from the main unit **2**.
- Connect wiring as shown above and screw main unit **2** to appropriate fixing box **1**.
- Replace card cover **3** and decorative cover **4**.

Electrical installation (except surround replacement) must be carried out by a qualified electrician.

10A 1G 1 way	3
10A 2G 1 way	3
10A 3G 1 way	3
10A 1G 2 way	3
10A 2G 2 way	3
10A 3G 2 way	3
10A 4G 2 way	3
10A 1G bellpush	3
10A 1G switch push marked 'press'	3
10A intermediate	3
10A 3 pole fan isolator	3
13A 1G unswitched socket.....	4
13A 1G switched socket.....	4
13A 1G switched socket + neon	4
13A 2G switched socket.....	4
13A 2G switched socket + neon	4
13A 1G DP switched socket 2 E terminals.....	4
13A 2G DP switched socket 2 E terminals.....	4
13A unswitched socket connection unit	4
13A unswitched socket connection unit + neon	4
13A fused switched connection unit	4
13A fused switched connection unit + neon.....	4
15A 1G switched socket	5
16A hotel card switch	3
16A universal 2 pin socket	5
Shaver socket dual voltage 240V/110AC	5
20A flex outlet plate.....	4
Cable outlet adaptor plate for fused connection unit and 20A switch.....	4
20A DP switch	3
20A DP switch + neon.....	3
20A DP switch marked 'water heater'	3
20A DP switch + neon marked 'water heater'	3
20A DP switch + neon marked 'air conditioner'	3
45A DP switch	4
45A DP switch + neon.....	4
45A DP switch + neon (2G plate size).....	4
45A DP cooker control unit	4
45A DP cooker control unit + neon.....	4
45A DP switch + neon marked 'cooker'	4
45A cable outlet with terminals.....	4
250W 1G 2 way.....	5
250W 2G 2 way.....	5
400W 1G 2 way.....	5
500W 1G 1 way.....	5
500W 2G 1 way.....	5
500W 1G 1 way fan controller	5
1000W 1G 1 way.....	5
1G TV co-axial outlet.....	5
1G TV co-axial outlet dual clamp	5
1G SAT outlet	6
1G TV SAT outlet	6

1G telephone outlet master	6
1G telephone outlet secondary	6
1G telephone outlet RJ11	6
1G RJ45 outlet CAT 6	6
1G grid coverplate	6
2G grid coverplate	6
3G grid coverplate	6
4G grid coverplate	6
2 module data plate.....	6
4 module data plate.....	6
1G blank plate.....	6
2G blank plate.....	6

B

Blank plates - 1G & 2G	6
------------------------------	---

C

Cable outlet adaptor plate.....	4
Connection units - 13A, fused, unswitched	4
Connection units - 13A, fused, switched	4

D

Dimmers - 250W, tungsten push	5
Dimmers - 400W, tungsten push.....	5
Dimmers - 500W, non-european	5
Dimmers - 1000W, non-european.....	5

F

Flex outlet plate - 20A	4
-------------------------------	---

G

Grid coverplates - 1G, 2G, 3G & 4G	6
--	---

H

Hotel card switch.....	3
------------------------	---

O

Outlets - satellite	6
Outlets - shaver, 240V/110AC	5
Outlets - telephone, master, secondary, RJ11, RJ45 Cat 6.....	6
Outlets - TV co-axial.....	5

S

Sockets - 13A	4
Sockets - 15A.....	5
Sockets - 16A	5
Switches - 10A	3
Switches - 16A	3
Switches - 20A	3
Switches - 45A	4
Switches - 10A, intermediate	3
Switches - 10A, isolator, fan isolator	3

V

Voice data module frames	6
--------------------------------	---

E011	3	E802	6
E012	3	E803	6
E013	3	E804	6
E015	3	E872	6
E015PR.....	3	E874	6
E017	3	E9131	5
E021	3	E9132	5
E022	3	E9141	5
E023	3	E9511	5
E024	3	E9551	5
E048	3	E9552	5
E111	4	E9751	5
E200	4		
E200N.....	4		
E201	4		
E201N.....	4		
E210	4		
E212	4		
E301	3		
E301N.....	3		
E303	3		
E303N.....	3		
E304N.....	3		
E315	5		
E321N.....	4		
E322	4		
E322N.....	4		
E325	4		
E325N.....	4		
E326N.....	4		
E345	4		
E351	5		
E351D.....	5		
E355	6		
E356	6		
E360	6		
E361	6		
E362	6		
E363	6		
E370	5		
E391	6		
E392	6		
E401	3		
E461	5		
E511	4		
E511N.....	4		
E512	4		
E512N.....	4		
E521	4		
E522	4		
E801	6		

Eaton's Corporation is a diversified industrial manufacturer ranked among the largest Fortune 500 companies. The electrical group is Eaton's largest division and is a global leader in electrical control, power distribution, power quality, automation, and monitoring products and services. Eaton's electrical products include brands such as Cutler-Hammer®, MGE Office Protection Systems, Powerware®, Holec® and MEM®. Eaton provides PowerChain Management® solutions to serve the needs of the industrial, institutional, IT, data center, mission critical, utility, residential, and OEM markets worldwide.

PowerChain Management solutions help enterprises achieve sustainable and competitive advantages through proactive management of the power system as a strategic, integrated asset throughout its life cycle. With Eaton's distribution, generation and power quality equipment; full-scale engineering services; and information management systems, the power system is positioned to deliver powerful results: greater reliability, operating cost efficiencies, effective use of capital, enhanced safety and risk mitigation.

Eaton Electric Limited
P.O. Box 19651
Riyadh 11445
Saudi Arabia

tel: +966-1-460-2275
fax: +966-1-460-2291

Eaton Electric Limited
P.O. Box 1270
Jeddah 21431
Saudi Arabia

tel: +966-2-6822-750
fax: +966-2-6622-835

Eaton Electric Limited
P.O. Box 1993
Doha
Qatar

tel: +974-4654792
fax: +974-4654792

Eaton Electric Limited
P.O. Box 425, 9 Shehab Street
No. 11 Mohandessin
Cairo, Egypt

tel: +20-2-338-6170
fax: +20-2-338-2025

Eaton Electric Limited
P.O. Box 510449
Al Ashrafiyeh
Amman 11151, Jordan

tel: +962-6-4740-660
fax: +962-6-4744-660

Eaton Electric Limited
P.O. Box 620
Al Khobar 31952
Saudi Arabia

tel: +966-3-882-5424
fax: +966-3-882-5732



Eaton Electric Limited
Reddings Lane
Birmingham B11 3EZ
United Kingdom

Customer Support Centre
UK tel: +44(0) 8700 545 333
UK fax: +44(0) 8700 540 333
International tel: +44 (0)121 685 2100
International fax: +44 (0)121 685 2028
email: ukcommorders@eaton.com

Eaton Electric Limited
Dubai World Trade Center
Level 23, P.O. Box 9398
Dubai, United Arab Emirates

tel: +9714-331-3938
fax: +9714-332-9239
email:
SalesOffDubaiUAE@eaton.com

Eaton Electric Limited
P.O. Box 48010
1st Floor, Liason House
State House Road
Nairobi, Kenya

tel: +254 20 2719230
fax: +254 20 2711969

Eaton Electric & Engineering Services Limited
Rm 04, 16/F, Kodak House II
38-39 Healthy Street East,
North Point
Hong Kong

tel: +852 31058766
fax: +852 26152289

© 2008 Eaton Electric Limited.
All rights reserved.

Printed in UK
Form No. PG00400007U
November 2008

EATON

MEM